

Proven Landscape Technology

# Flailbot

Remote  
controlled  
mowing

The wirelessly  
operated  
trackmower for  
challenging terrains.



# REMOTE Wirelessly Operated

Remote controlled flail mowers offer fast, effective and safe vegetation control on steep, remote and challenging terrains.

A wide variety of attachments is also available for this range - which includes dozer blades, sweepers, loaders, snow blowers and rakes - offering an extremely versatile remote controlled solution for any landscaping requirements.





## Remote Range

Overview	4
Product Range	10
Flailbot Mini	12
Flailbot Compact	14
Flailbot Original	16
Flailbot Extra	18
Flailbot Supreme	20
Tools, Attachments & Accessories	22

# Ultimate mowing capabilities with zero operator risk

Covering challenging, steeply inclined terrain with a traditional man-on-board power mower puts a driver at risk.

Remotely controlled wirelessly, Flailbot provides ultimate mowing capability whilst keeping the operator at a safe distance.

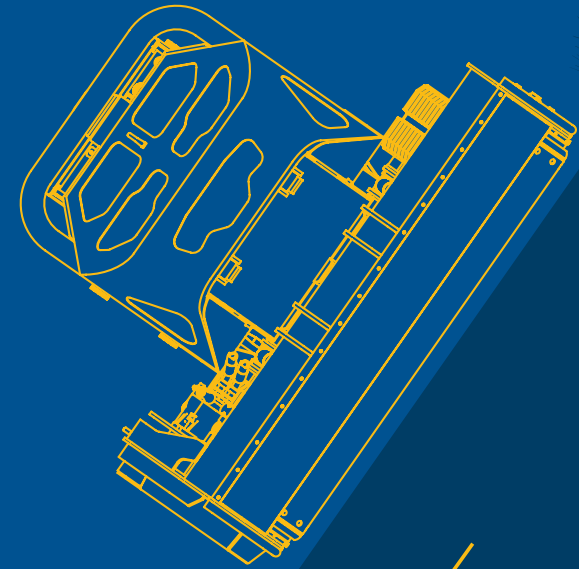
With a powerful range of engines from 23-70hp, twin-track grip, excellent manoeuvrability and flexible tool attachment options, Flailbot delivers the all-terrain performance you need.



## Responsive & intuitive Ultimate control

The remote control, operating all Flailbot functions, has a range of up to 150m (492').

Joysticks provide precise control of forward or reverse track speeds from 0-7 km/h / 0-4.5 mph. Real-time critical machine data, including incline, altitude and speed, is fed to a visual display on the controller. When working on slopes, the operator can adjust the offset needed to maintain direction. A service assistant function assists routine maintenance and diagnostics.



UP TO  
**55°**  
WORKING  
ANGLE

## Take it to the limit A head for heights

Flailbot is as at home on steep slopes as it is on flatter areas.

Remote control makes it ideal for use for hilly and mountainous areas; banks, escarpments and highways; near railway lines; military land; industrial and energy plants; public parklands; forested areas; airports, drainage systems and reservoirs; municipal areas; and sports facilities.





# Powerful & efficient Engineered for excellence

Flailbot boasts a range of 2-4 cylinder industrial engines developing 23-70hp.

Robust and delivering ample power and torque, it performs reliably, under arduous or extended duty, without overheating. The whole powertrain has been designed and tested to work continuously, even on gradients of up to 55°.

## Advanced cooling

A Flexaire fan ensures a safe operating temperature in all conditions. In reverse operation, debris is blown clear from the engine.



Remote Control Receiver In Protective Housing

Strong Gripping Treads

# Durable & robust Built to last

To protect the engine, bearings and components, a tough underbody skin is structurally integrated into the frame, preventing ingress of debris, fragments and grit.

A robust roll bar, integrated into the chassis, can also be used to hoist the vehicle if needed. In addition to a 4-point attachment system for lifting, the frame includes front and rear fastening systems for optional tools and equipment. Flashing LEDs and powerful headlights ensure high visibility during operation.

## Thinking ahead

To reduce the risk of flying debris when reverse rotation is selected, the front hood of the cutting head is held closed by an electronic interloc. Pressure sensors, meanwhile, electronically control flail head float via lift rams.

Flashing LEDs

Robust Rollbar

35-70hp Engines

Powerful Headlights

Tough Chassis  
& Underbody



# For every situation Confidence on any terrain

Powerful mowing machinery needs to perform consistently.

To navigate variable or vulnerable terrain easily, Flailbot offers different track options: Standard rubber with low impact to limit pressure on the ground; high grip rubber for mixed soils; and, for extreme slopes, steel-linked tracks with inserts and additional studs.

Whilst the engine is running, oil pressure-controlled track tensioners keep both tracks correctly tensioned automatically, preventing track loss and maximising grip on difficult ground. Protected track idler sprockets and wheels further secure the tracks. For particularly difficult or steep conditions, the operator can also remotely extend each track width individually by 250mm (10"), increasing the footprint for added stability and grip.



For greater control both tracks can be extended to give an additional 500mm / 20" track base.



## Standard Track

Rubber track with low impact tread pattern. Ideal for most normal terrain.

## Hi-Grip Track

Rubber track with deep tread pattern. Offers enhanced grip for mixed substrates.

## Metal Spiked Track

Steel-linked tracks with spiked studs. Offers maximum traction and stability navigating steep, challenging inclines.



# Precise & uniform

## The perfect cut

To maintain the optimum cutting height and angle the cutting head floats over the terrain, constantly adjusted automatically via hydraulic actuators.

An adjustment system allows Flailbot to be calibrated to match the tool heads in use. The high strength steel cutting heads have a cutting width ranging from 1000mm to 2000 mm (32 3/4" to 78"). For constant uniform coverage of the mowing area, the cutting rotor has multi-purpose flails arranged in a helical pattern.

### Multi-purpose flails

Multi purpose cutting knives for grass and scrub, giving a fine cut finish.



**Flailbot  
Mini 23HP**

**Flailbot  
Compact 40HP**

**Flailbot  
Original 40HP**



## The Complete Flailbot Range

The comprehensive Flailbot range focuses on operator safety, ease of use and value on investment. These five models represent a wide cross section of options and features, whilst delivering the reliability and ease of use synonymous with the Bomford Turner brand.

Models from 23hp – 70hp with cutting heads 1000mm – 2000mm (32 3/4" – 78") and numerous different attachments from stump grinders to snow blowers and front buckets, there is an attachment for each operation.

# Flailbot Extra 50HP

# Flailbot Supreme 70HP



# Flailbot Mini

The smallest of the Flailbot range, but packed with all the innovative features of the larger models. Easy access to site, with a lower gross weight and smaller foot print.

With a punchy 23hp engine, whilst it appears to be small, the Flailbot Mini model is very capable. Cutting head size is 1000mm (32 3/4") and this makes this model perfect for small access sites, and to be transported on smaller vehicles between sites.

## Key Features

- 2 cylinder Briggs & Stratton petrol engine
- 17 litre (4.5 USG) fuel capacity
- Closed circuit piston pump cutting circuit
- 40 degree working angle
- Hydrostatic transmission



### Want to know more about the Flailbot range?

Scan the QR code to the left with a smart phone or tablet and compatible app to instantly view the page.

Alternatively visit:

<http://www.bomford-turner.com/remote/flailbot-mini/>





**Sleek low design**

Giving maximum accessibility to difficult areas whilst remaining well protected with full engine covers.



**Integral rollbar**

Standard on all Flailbot models, and offers the additional feature of lift points.

**Flailbot Mini**  
**Weights & Dimensions**

Engine Size / Capacity

**23hp /**  
**0.6 Litres / 366 in<sup>3</sup>**

Flailbot with Oil & Fuel  
**520 kg / 1,146 lbs**

1000 Flail Head  
**160 kg / 352 lbs**

**Features & Specification**

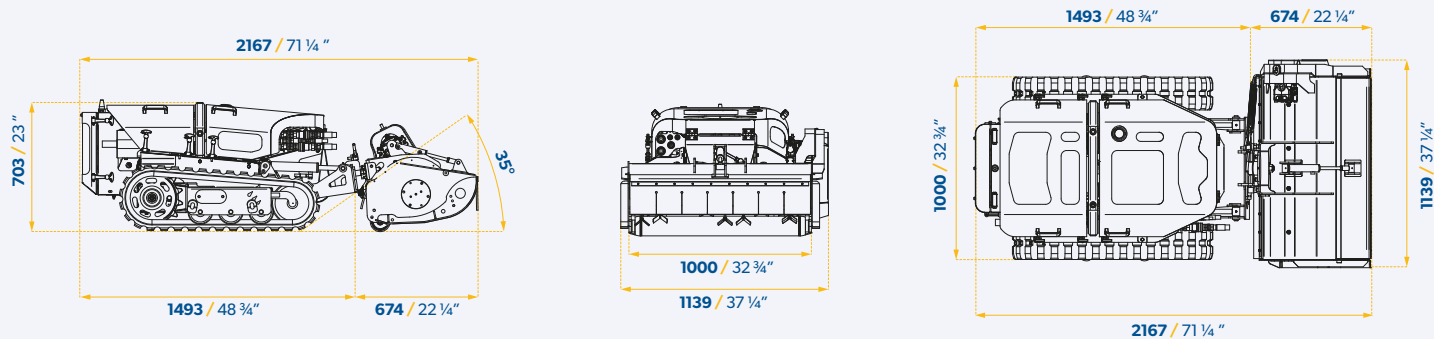
Flailbot	Mini (23hp)
<b>Operation</b>	
Max Slope	55°
Transmission	Hydrostatic
Speed	0-6 km/h
Weight	520kg / 1,393lbs
<b>Engine</b>	
Brand / Make	Briggs & Stratton
Model	2 Cylinders, Petrol
Engine Size	0.6 Litres / 366 in <sup>3</sup>
Power	17 kW / 23 Cv
Max Torque	44 Nm / 72 ft-lb @ 1800 rpm
Intake	Aspirated
Cooling	Liquid
Air Filter	Dry
Petrol Tank Capacity	17 Litres / 4.5 USG
Engine Oil Quantity	1.4 Litres / 0.4 USG
<b>Electrical Circuit</b>	
Operating Voltage	12 Vcc
Alternator	16 Amp
Battery	18 Ah

Flailbot	Mini (23hp)
<b>Hydraulic System</b>	
Displacement	Triple piston pump with variable engine size and closed circuit
Displacement Capacity	64 Litres max @ 3200 rpm 17 USG max @ 3200 rpm
Displacement Pressure	250 Bar max
Services	Gear Pump
Services Capacity	13 Litres max @ 3200 rpm 3.4 USG max @ 3200 rpm
Services Pressure	180 Bar max
Tool	Closed Circuit Piston Pump
Tool Capacity	22 Litres max @ 3200 rpm 5.8 USG max @ 3200 rpm
Tool Pressure	180 Bar max
Oil Tank Capacity	22 Litres / 5.8 USG
Operating Oil Quantity	30 Litres / 8 USG
<b>Controls</b>	
Brand	IMET
Frequency	2.4 Ghz
Range Signal	150m / 492'
Battery	Rechargeable



**Hydraulic front hood**

Operational via controls with electronic interlock for safety dependent on rotor direction.



# Flailbot Compact

Flailbot Compact carries all the same features as the Mini model, with the bigger Flailbot original 40hp Perkins industrial powerplant.

The compact size, but powerful 40hp Perkins engine makes the compact model a contractors first choice. With the added feature of manual wind out track width as standard, and a number of attachments available.

## Key Features

- Perkins 40hp industrial engine
- 1300mm (51") cutting head
- Manually wind out track frame
- Auto hydraulic track tension system
- Full engine covers as standard



### Want to know more about the Flailbot range?

Scan the QR code to the left with a smart phone or tablet and compatible app to instantly view the page.

Alternatively visit:

<http://www.bomford-turner.com/remote/flailbot-compact/>





**Radiator cooler cover**  
Hinged cooler guard for easy access.



**Easy Access**  
Engine protection covers easily removed for fast and simple access for maintenance.

## Features & Specification

Flailbot	Compact (40hp)
<b>Operation</b>	
Max Slope	55°
Transmission	Hydrostatic
Speed	0-7 km/h
Weight	940kg / 2,072lbs
<b>Engine</b>	
Brand / Make	Perkins
Model	3 Cylinders, Diesel
Engine Size	1,496 Litres / 91,292 in <sup>3</sup>
Power	30 kW / 40.8 Cv
Max Torque	112 Nm / 83 ft-lb @ 1800 rpm
Intake	Turbocharged
Cooling	Liquid
Air Filter	Dry
Diesel Tank Capacity	20 Litres / 5 USG
Engine Oil Quantity	6 Litres / 2 USG
<b>Electrical Circuit</b>	
Operating Voltage	12 Vcc
Alternator	65 Amp
Battery	18 Ah

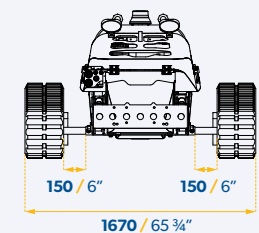
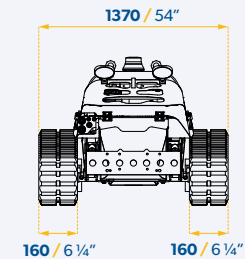
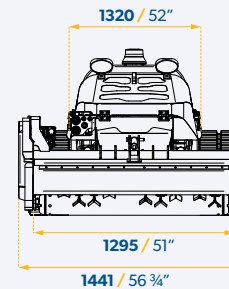
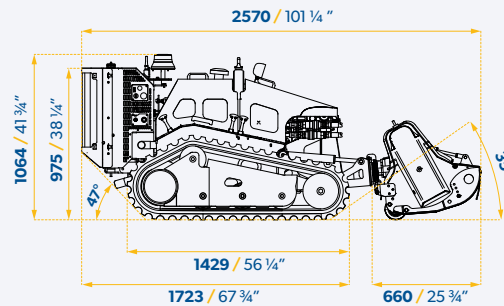
Flailbot	Compact (40hp)
<b>Hydraulic System</b>	
Displacement	Triple piston pump with variable engine size and closed circuit
Displacement Capacity	55 Litres max @ 2750 rpm 15 USG max @ 2750 rpm
Displacement Pressure	280 Bar max
Services	Gear Pump
Services Capacity	13 Litres max @ 2750 rpm 3 USG max @ 2750 rpm
Services Pressure	200 Bar max
Tool	Closed Circuit Piston Pump
Tool Capacity	52 Litres max @ 2750 rpm 14 USG max @ 2750 rpm
Tool Pressure	250 Bar max
Oil Tank Capacity	25 Litres / 7 USG
Operating Oil Quantity	35 Litres / 9 USG
<b>Controls</b>	
Brand	Scanreco
Frequency	434 Mhz
Range Signal	150m / 492'
Battery	Rechargeable



**Working range**  
All Flailbot models have an impressive working range of 150m (492').

### Flailbot Compact Weights & Dimensions

Engine Size / Capacity  
**40hp /**  
1,496 Litres / 91,292 in<sup>3</sup>  
Flailbot with Oil & Fuel  
**940 kg / 2,072lbs**  
1300 Flail Head  
**210 kg / 462 lbs**



# Flailbot Original

The original Flailbot, designed for challenging terrains with the powerful industrial Perkins diesel engine fitted as standard, providing the ultimate in power to weight performance in the remote controlled track bank mower market.

Covering challenging, steeply inclined terrain with a traditional man-on-board power mower puts a driver at risk. Remotely controlled wirelessly, Flailbot provides ultimate mowing capability whilst keeping the operator at a safe distance.

## Key Features

- Working with oil pressure ranges of 180 to 200 BAR
- Working with oil flows between 45 to 110 L/min
- Weight options from 310kg (683 lbs) up to 640kg (1,411 lbs)
- Skids to protect head
- Adjustable working height



### Want to know more about the Flailbot range?

Scan the QR code to the left with a smart phone or tablet and compatible app to instantly view the page.

Alternatively visit:

<http://www.bomford-turner.com/remote/flailbot/>







**Excellent grip characteristics**

Individual tracks can be extended by up to 250mm (10").



**Hydraulic front hood**

Operational via controls with electronic interlock for safety dependent on rotor direction.

**Flailbot Original Weights & Dimensions**

Engine Size / Capacity  
**40hp / 1,496 Litres / 91,292 in<sup>3</sup>**  
 Flailbot with Oil & Fuel  
**1280 kg / 2,822 lbs**  
 1500 Flail Head  
**225 kg / 496 lbs**

**Features & Specification**

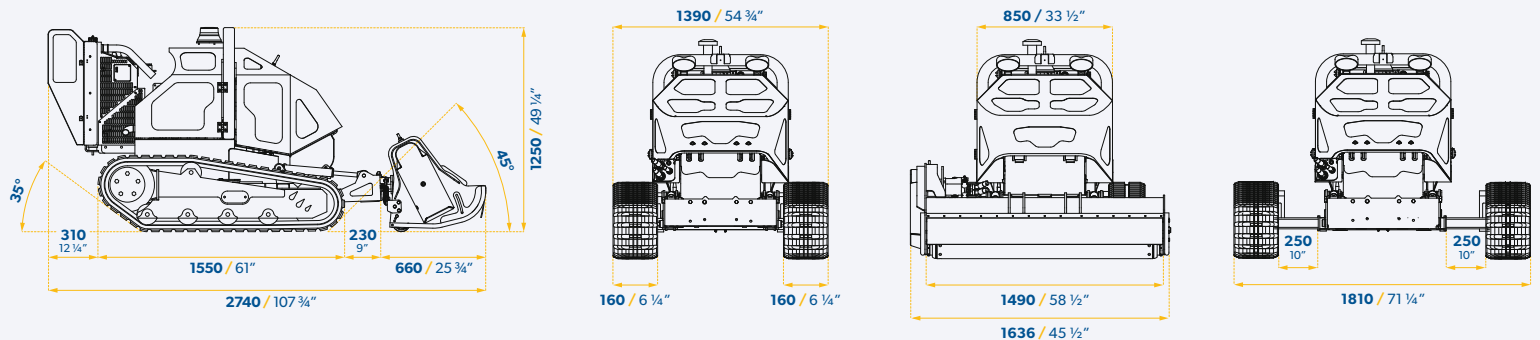
Flailbot	Original (40hp)
<b>Operation</b>	
Max Slope	55°
Transmission	Hydrostatic
Speed	0-7 km/h
Weight	1280kg / 2,822lbs
<b>Engine</b>	
Brand / Make	Perkins
Model	3 Cylinders, Diesel
Engine Size	1,496 Litres / 91,292 in <sup>3</sup>
Power	30 kW / 40.8 Cv
Max Torque	112 Nm / 83 ft-lb @ 1800 rpm
Intake	Turbocharged
Cooling	Liquid
Air Filter	Dry
Diesel Tank Capacity	22 Litres / 6 USG
Engine Oil Quantity	7 Litres / 2 USG
<b>Electrical Circuit</b>	
Operating Voltage	12 Vcc
Alternator	65 Amp
Battery	60 Ah

Flailbot	Original (40hp)
<b>Hydraulic System</b>	
Displacement	Triple piston pump with variable engine size and closed circuit
Displacement Capacity	65 Litres max @ 2750 rpm 17 USG max @ 2750 rpm
Displacement Pressure	280 Bar max
Services	Gear Pump
Services Capacity	13 Litres max @ 2750 rpm 3 USG max @ 2750 rpm
Services Pressure	200 Bar max
Tool	Closed Circuit Piston Pump
Tool Capacity	58 Litres max @ 2750 rpm 15 USG max @ 2750 rpm
Tool Pressure	280 Bar max
Oil Tank Capacity	50 Litres / 13 USG
Operating Oil Quantity	60 Litres / 16 USG
<b>Controls</b>	
Brand	Scanreco
Frequency	434 Mhz
Range Signal	150m / 492'
Battery	Rechargeable



**Precise control**

The remote control, operating all Flailbot functions has a range of 150m (492').



# Flailbot Extra

A machine for all terrains and types of contract – that command a little more power the Flailbot Extra is the machine of choice. Running the same chassis components as the Standard 40hp machine, albeit with a more powerful engine producing 50hp.

The powerful 50hp Perkins engine guarantees you will never run out of power, this can cope with all types of operations from general grass cutting and scrub/forestry cutting to stump grinding.

## Key Features

- 4 Cylinder 50hp Perkins engine
- 29 litre (8USG) fuel tank capacity
- Closed circuit triple piston pump circuit
- 150m (492') working range
- 55 degree max working angle



### Want to know more about the Flailbot range?

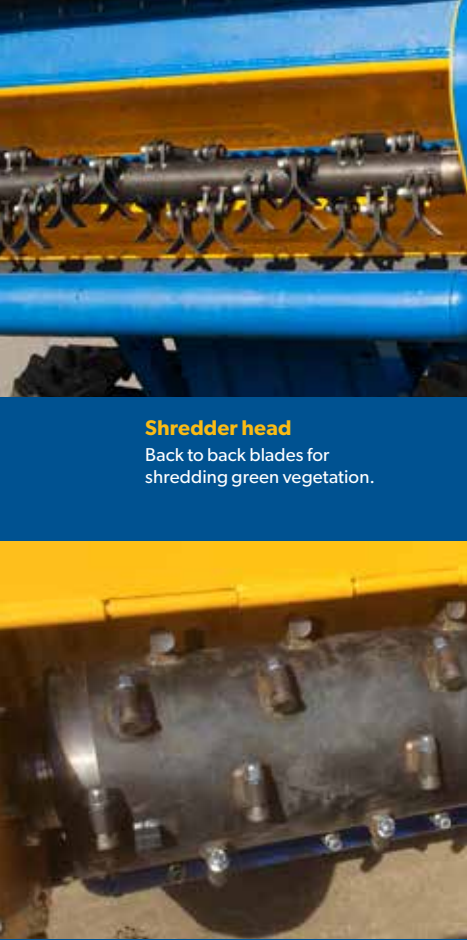
Scan the QR code to the left with a smart phone or tablet and compatible app to instantly view the page.

Alternatively visit:

<http://www.bomford-turner.com/remote/flailbot-extra/>



## Features & Specification



### Shredder head

Back to back blades for shredding green vegetation.

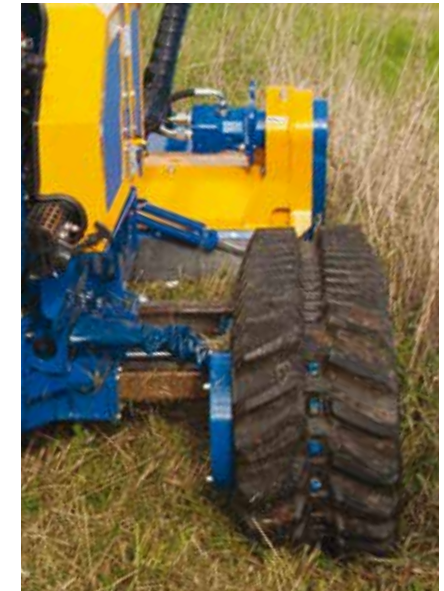


### Fixed tooth forestry mulcher

Suitable for managing wooded areas and providing a chipped wood finish.

Flailbot	Extra (50hp)
<b>Operation</b>	
Max Slope	55°
Transmission	Hydrostatic
Speed	0-7 km/h
Weight	1360kg / 2,998 lbs
<b>Engine</b>	
Brand / Make	Perkins
Model	4 Cylinders, Diesel
Engine Size	2,200 Litres / 134,252 in <sup>3</sup>
Power	36.3 kW / 49.4 Cv
Max Torque	140 Nm / 103 ft-lb @ 1800 rpm
Intake	Turbocharged
Cooling	Liquid
Air Filter	Dry
Diesel Tank Capacity	29 Litres / 8 USG
Engine Oil Quantity	10 Litres / 3 USG
<b>Electrical Circuit</b>	
Operating Voltage	12 Vcc
Alternator	65 Amp
Battery	44 Ah

Flailbot	Extra (50hp)
<b>Hydraulic System</b>	
Displacement	Triple piston pump with variable engine size and closed circuit
Displacement Capacity	76 Litres max @ 2700 rpm 20 USG max @ 2700 rpm
Displacement Pressure	320 Bar max
Services	Gear Pump
Services Capacity	13 Litres max @ 2700 rpm 3 USG max @ 2700 rpm
Services Pressure	200 Bar max
Tool	Closed Circuit Piston Pump
Tool Capacity	76 Litres max @ 2700 rpm 20 USG max @ 2700 rpm
Tool Pressure	280 Bar max
Oil Tank Capacity	50 Litres / 13 USG
Operating Oil Quantity	60 Litres / 16 USG
<b>Controls</b>	
Brand	Scanreco
Frequency	434 Mhz
Range Signal	150m / 492'
Battery	Rechargeable



### Variable track width

For particularly difficult or steep conditions, track width can be increased individually by 250mm (10"), increasing the footprint for added stability and grip.

### Flailbot Extra Weights & Dimensions

Engine Size / Capacity

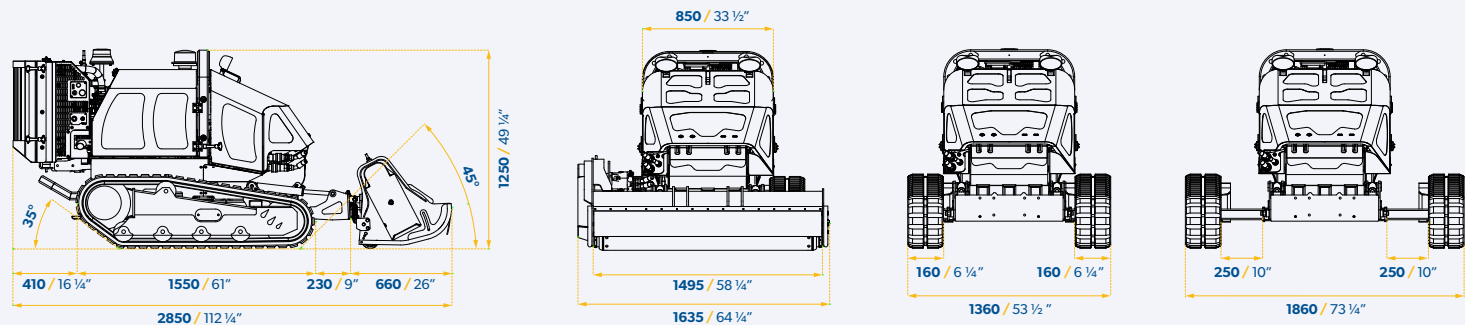
**50hp /**  
2,200 Litres / 134,252 in<sup>3</sup>

Flailbot with Oil & Fuel

**1360 kg / 2,998 lbs**

1500 Flail Head

**225 kg / 496 lbs**



# Flailbot Supreme

The flagship model – enjoy ultimate horse power with the 70hp engine giving maximum power and control to the operators finger tips.

Fitted with a tier 4 Final Perkins engine, producing over 200 NM of torque making the Flailbot Supreme the most powerful model in the range. The Supreme is fitted as standard with hydraulic adjustable track width and auto track tension system.

## Key Features

- 4 Cylinder 70hp Perkins engine
- Tier 4 final engine emissions
- Hydraulically adjustable track frame
- 40 litre (11 USG) fuel tank capacity
- 150m (492') working range



### Want to know more about the Flailbot range?

Scan the QR code to the left with a smart phone or tablet and compatible app to instantly view the page.

Alternatively visit:

<http://www.bomford-turner.com/remote/flailbot-supreme/>





**Clearing areas of dense vegetation**

Cutting through heavy undergrowth to allow easy access.



**Rear protection**

Fitted with rear protection bar and towing anchor point.

**Features & Specification**

Flailbot	Supreme (70hp)
<b>Operation</b>	
Max Slope	55°
Transmission	Hydrostatic
Speed	0-7 km/h
Weight	2200kg / 4,850 lbs
<b>Engine</b>	
Brand / Make	Perkins, Tier 4 Final
Model	4 Cylinders, Diesel, Direct Injection
Engine Size	2,226 Litres / 135,839 in <sup>3</sup>
Power	50 kW / 68 Cv
Max Torque	208 Nm / 153 ft-lb @ 1800 rpm
Intake	Turbocharged aftercooled
Cooling	Liquid
Air Filter	Dry
Diesel Tank Capacity	40 Litres / 11 USG
Engine Oil Quantity	10.6 Litres / 3 USG
<b>Electrical Circuit</b>	
Operating Voltage	12 Vcc
Alternator	85 Amp
Battery	70 Ah

Flailbot	Supreme (70hp)
<b>Hydraulic System</b>	
Displacement	Triple piston pump with variable engine size and closed circuit
Displacement Capacity	113 Litres max @ 2500 rpm 30 USG max @ 2500 rpm
Displacement Pressure	300 Bar max
Services	Gear Pump
Services Capacity	15 Litres max @ 2500 rpm 4 USG max @ 2500 rpm
Services Pressure	200 Bar max
Tool	Closed Circuit Piston Pump
Tool Capacity	83 Litres max @ 2500 rpm 22 USG max @ 2500 rpm
Tool Pressure	280 Bar max
Oil Tank Capacity	80 Litres / 21 USG
Operating Oil Quantity	90 Litres / 24 USG
<b>Controls</b>	
Brand	Scaneco
Frequency	434 Mhz
Range Signal	150m / 492'
Battery	Rechargeable



**Shredding head**

Fitted as standard with 1650mm (5'5") shredding head and pushbar.

**Flailbot Supreme  
Weights & Dimensions**

Engine Size / Capacity

**70hp /**

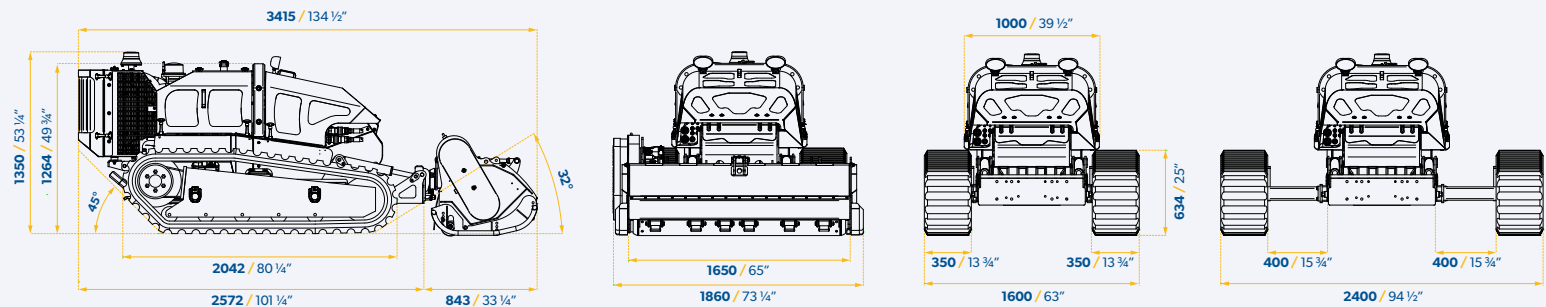
**2,226 Litres / 135,839 in<sup>3</sup>**

Flailbot with Oil & Fuel

**2200 kg / 4,850 lbs**

1650 Flail Head

**450 kg / 992 lbs**



# Tools & attachments

## The ultimate in flexibility

A comprehensive range of tools and attachments allow Flailbot to be easily configured for a wide range of applications.

● Standard ○ Optional — Not Available

Tool / Accessory	Mini (23hp)	Compact (40hp)	Original (40hp)	Extra (50hp)	Supreme (70hp)
Standard Flailhead (1000)	●	—	—	—	—
Standard Flailhead (1300)	—	●	○	○	—
Standard Flailhead (1500)	—	—	●	●	—
Standard Flailhead (2000)	—	—	—	—	○
Forestry Head (1200)	—	○	○	○	—
Forestry Head (1650)	—	—	—	—	●
Rotary Mower Deck and Barrier Mower Disc	—	○	○	○	○
Wood Chipper	○	○	○	○	○
Stump Grinder	○	○	○	○	○
Sweeper	○	○	○	○	○
Collection Basket for Sweeper	—	○	○	○	○
Snow Blower	○	○	○	○	○
Snow Plough Blade	○	○	○	○	○
Loader and Front Bucket	—	—	○	○	—
Haymaker Bar	○	○	○	○	○
Atomiser / Sprayer	—	—	○	○	—
Trencher	—	○	○	○	○

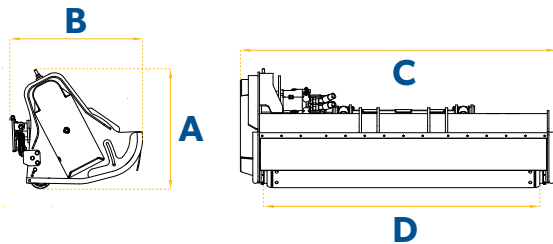
### Looking for a different accessory for Flailbot?

We have a diverse range of tools and accessories for Flailbot beyond the range shown here. If you would like to discuss options or to learn more please contact our Flailbot team and they will be able to help and advise.



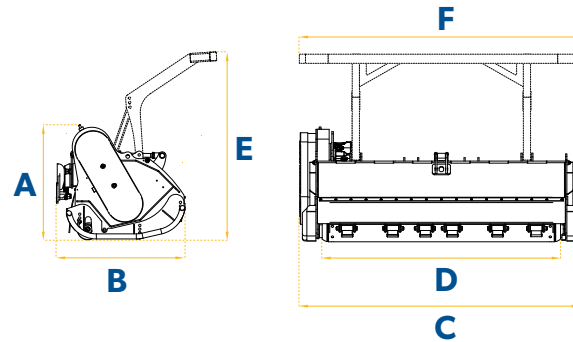
## Standard Flailhead

Perfect for cutting all types of green vegetation up to 35mm (1 3/8") diameter.



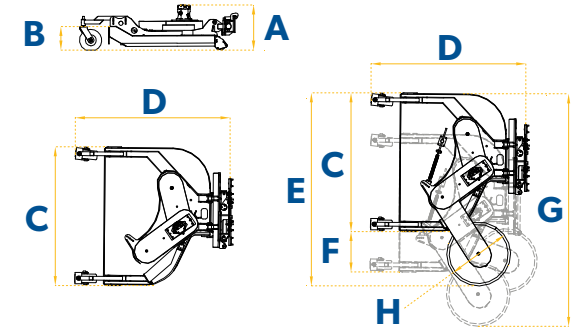
## Forestry Head

Designed to cut thicker vegetation than the standard cutting head, with swinging hammers as standard and a fixed hammer rotor option.



## Rotary Mower Deck & Barrier Mower Disc

Ideal for park areas and cutting of fine grass with option of disc mower fitted for cutting around trees, sign posts and guard rails/delineator posts.



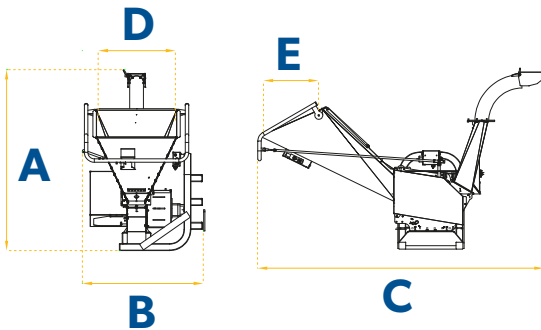
Technical Data		1000	1300	1500	2000
A	Height	590mm / 1'11"	625mm / 2'1"	635mm / 2'1"	610mm / 2'0"
B	Depth	674mm / 2'3"	710mm / 2'4"	720mm / 2'4"	930mm / 3'1"
C	Width	1139mm / 3'9"	1445mm / 4'9"	1660mm / 5'5"	2234mm / 7'4"
D	Cutting Width	1000mm / 3'3"	1180mm / 3'10"	1390mm / 4'7"	2050mm / 6'9"
	Weight	160kg / 352lbs	210kg / 463lbs	270kg / 595lbs	420kg / 936lbs

Technical Data		1200	1650
A	Height	740mm / 2'5"	760mm / 2'6"
B	Depth	750mm / 2'6"	910mm / 3'
C	Width	1465mm / 4'10"	1865mm / 6'1"
D	Cutting Width	1190mm / 3'11"	1650mm / 5'5"
E	Height w/ Branch Feller	960mm / 3'2"	1250mm / 4'1"
F	Branch Feller Width	1465mm / 4'10"	1865mm / 6'1"
G	Depth w/ Branch Feller	960mm / 3'2"	1120mm / 3'8"
	Weight	300kg / 661lbs	450kg / 992lbs
	Weight w/ Branch Feller	320kg / 705lbs	470kg / 1,036lbs

Technical Data		Deck Only	Deck + Disk
A	Height	275mm / 11"	275mm / 11"
B	Opening Height	250mm / 10"	250mm / 10"
C	Width	1455mm / 4'9"	1455mm / 4'9"
D	Depth	1630mm / 5'4"	1630mm / 5'4"
E	Width with Deck	-	1660mm / 5'5"
F	Lateral Movement	400mm / 1'4"	400mm / 1'4"
G	Max Working Width	1455mm / 4'9"	2025mm / 6'7"
H	Disc Diameter	-	670mm / 2'2"
	Weight	260kg / 573lbs	300kg / 661lbs

## Wood Chipper

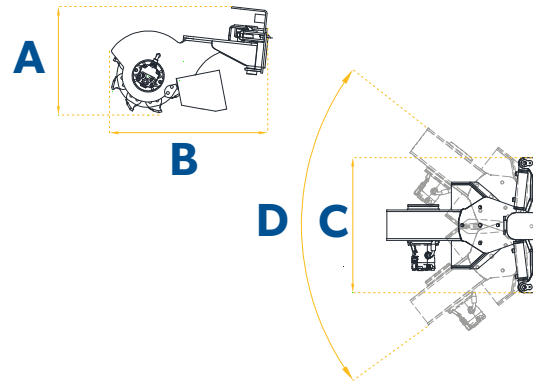
For difficult to access areas, this wood chipper enables on-site chipping.



Technical Data		Wood Chipper
A	Height	1650mm / 5'5"
B	Depth	1100mm / 3'7"
C	Width	2600mm / 8'6"
D	Chipper Entry Width	720mm / 2'4"
E	Chipper Entry Depth	700mm / 2'4"
	Weight	260kg / 573lbs
	Max Cuttable Diameter	90mm / 4"
	Introduction Height	1000mm / 3'3"
	Shredding Opening	160mm x 200mm / 6" x 8"
	No. of Hammers	8
	No. of Blades	2
	Hourly Production	7m <sup>3</sup> /h

## Stump Grinder

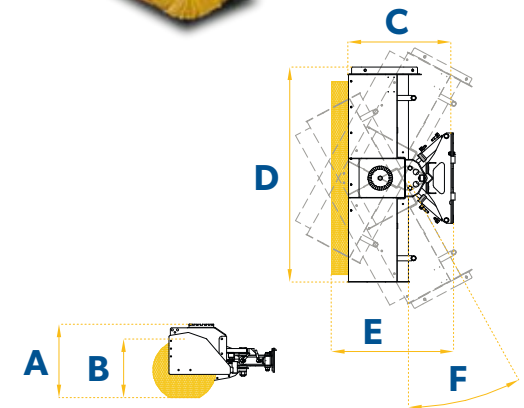
Powerful, yet compact designed stump grinder. For removal of tree stumps after cutting the tree down.



Technical Data		Stump Grinder
A	Height	750mm / 2'6"
B	Depth	900mm / 2'11"
C	Width	750mm / 2'6"
D	Working Angle	70°
	Wheel Diameter	350mm / 1'2"
	Wheel Diameter with Tools	425mm / 1'5"
	Weight	150kg / 331lbs
	Rotor Speed	1400 rpm
	No. of Tools	16

## Sweeper

Sweeper designed for fast clearance and sweeping operations, and can be angled left, right and straight ahead.



Technical Data		Sweeper
A	Height	570mm / 1'10"
B	Brush Height / Diameter	480mm / 1'7"
C	Depth	790mm / 2'7"
D	Width	1665mm / 5'6"
E	Depth including Brush	920mm / 3'0"
F	Working Angle	30°
	Weight	170kg / 375lbs



# Collection Basket for Sweeper

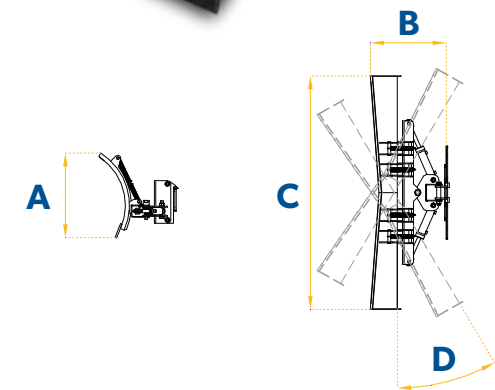
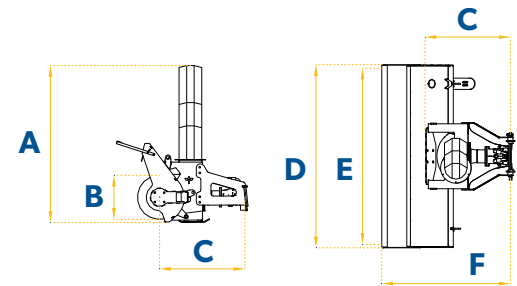
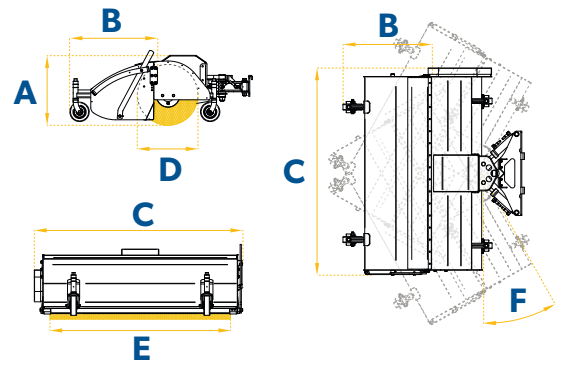
A useful addition to the sweeper attachment for collecting debris as it is swept.

# Snow Blower

Hydraulic powered snow blower fitted with a swivelling chute to blow snow and can be angled left, right and straight ahead.

# Snow Plough Blade

For snow clearance and removal with angle headstock to allow LH, RH and straight push adjustment.



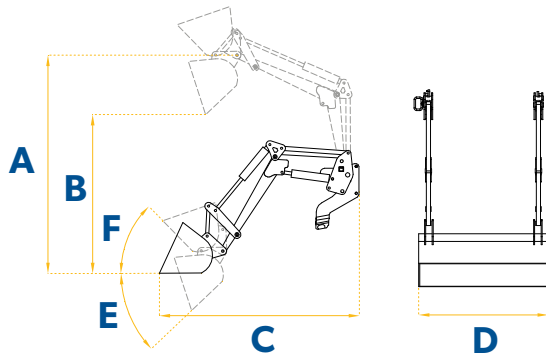
Technical Data		Collection Basket
A	Height	570mm / 1'10"
B	Depth	693mm / 2'3"
C	Width	1665mm / 5'6"
D	Brush Height / Diameter	480mm / 1'7"
E	Brush Width	1460mm / 4'9"
F	Working Angle	30°
	Weight	60kg / 132lbs
	Opening System	Mechanical
	Pivot Wheels	Yes

Technical Data		Snow Blower
A	Height	1360mm / 4'6"
B	Diameter / Height of Rotor	400mm / 1'4"
C	Centre of Rotor to Coupling	750mm / 2'6"
D	Total Width	1615mm / 5'4"
E	Working Width	1600mm / 5'3"
F	Depth	1155mm / 3'9"
	Weight	250kg / 551lbs

Technical Data		1750	2000
A	Height	635mm / 2'1"	635mm / 2'1"
B	Depth	560mm / 1'10"	560mm / 1'10"
C	Width	1750mm / 5'9"	2000mm / 6'7"
D	Working Angle	30°	30°
	Weight	140kg / 309lbs	160kg / 353lbs

## Front End Loader

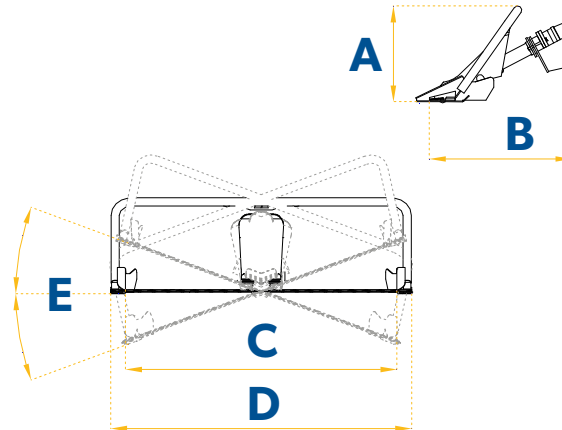
Front end loader with parallel lift function as standard for ultimate bucket control. (NB. Bucket sold separately).



Technical Data		Front End Loader
A	Joint Height	1650mm / 5'5"
B	Max Height (Base of bucket)	1100mm / 3'7"
C	Depth	1865mm / 6'1"
D	Width	1320mm / 4'4"
E	Angle of Bucket Rotation	43°
F	Angle of Rotation	46°
	Weight	185kg / 408lbs
	Bucket Capacity	350kg / 772lbs

## Haymaker Bar

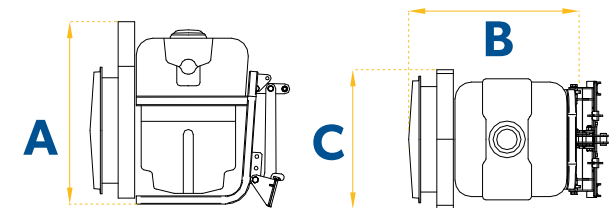
Designed to cut taller grass, to enable the collection and process into hay.



Technical Data		Haymaker Bar
A	Height	590mm / 1'11"
B	Depth	1065mm / 3'6"
C	Cutting Width	1600mm / 5'3"
D	Total Width	1600mm / 5'3"
E	Working Angle	40°
	Weight	150kg / 331lbs

## Atomiser / Sprayer

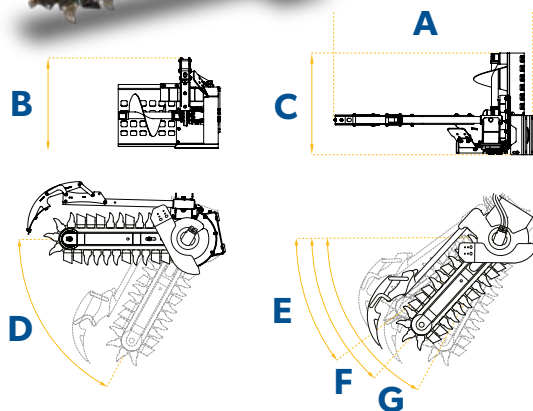
Designed for spraying vineyards and orchards. Narrow design allows access to smaller crop rows.



Technical Data		Atomiser
A	Height	1100mm / 3'7"
B	Depth	1060mm / 3'6"
C	Width	840mm / 2'9"
	Distance from Machine	1250mm / 4'1"
	Height from Ground	300-400mm / 1'-1'4"
	Weight	190kg / 419lbs
	Pressure Max	40 bar
	Volume	200 Litres / 52.83 USG
	Total Weight	390kg / 860lbs

# Trencher

For cutting trenches in restricted areas and on prestigious surfaces. Cuts a small trench for pipes and cables to be laid.



	Technical Data	600	900
A	Length	1465mm / 4'10"	1800mm / 5'11"
B	Height	736mm / 2'5"	736mm / 2'5"
C	Width	850mm / 2'9"	850mm / 2'9"
D	Max Cutting Angle	62°	62°
E F G	Cutting Depth Settings	300mm / 1' 450mm / 1'6" 600mm / 2'	600mm / 2' 750mm / 2'6" 900mm / 2'11"
	Chain / Teeth Options	Earth / Tungsten / Combination	
	Cutting Width Range (Chain Width)	100-300mm 4"-1'	100-300mm 4"-1'
	Oil Pressure Range	160-240 Bar 2321-3481 PSI	180-240 Bar 2611-3481 PSI
	Oil Flow Range	35-65 lpm 9-17 USG per min	45-80 lpm 12-21 USG per min
	Weight	300kg / 661lbs	450kg / 992lbs



Stump Grinder



Forestry Head

## Contact our Flailbot team

### Director

**James Cuthbertson**

Director of Sales & Marketing

Office Tel: +44 (0)1789 773383

Office Fax: +44 (0)1789 773238

Mobile: +44 (0)7768 553799

Email: [jcuthbertson@bomford-turner.com](mailto:jcuthbertson@bomford-turner.com)

### UK Sales

**Rhys Thomas**

Flailbot Specialist

Office Tel: +44 (0)1789 773383

Office Fax: +44 (0)1789 773238

Mobile: +44 (0)7817 137068

Email: [rthomas@bomford-turner.com](mailto:rthomas@bomford-turner.com)

### Parts

**Sam Sharp**

Parts Sales Manager

Office Tel: +44 (0)1789 773383

Office Fax: +44 (0)1789 490123

Mobile: +44 (0)7725 163728

Email: [ssharp@bomford-turner.com](mailto:ssharp@bomford-turner.com)

### Export Sales

**Craig Whiting**

Export Sales Manager

Office Tel: +44 (0)1789 773383

Office Fax: +44 (0)1789 773238

Mobile: +44 (0)7813 137451

Email: [cwhiting@bomford-turner.com](mailto:cwhiting@bomford-turner.com)

**Ole Buhl**

Northern Europe Sales Manager

Office Tel: +44 (0)1789 773383

Office Fax: +44 (0)1789 773238

Mobile: +45 40 35 89 71

Email: [obuhl@bomford-turner.com](mailto:obuhl@bomford-turner.com)

**Jim Goddard**

International Business Development  
Manager(North America)

Office Tel: +44 (0)1789 773383

Office Fax: +44 (0)1789 773238

Mobile: +44 (0)7814 163066

Email: [jgoddard@bomford-turner.com](mailto:jgoddard@bomford-turner.com)



**Bomford Turner Limited**  
Station Road, Salford Priors,  
Nr. Evesham, Worcestershire  
WR11 8SW  
United Kingdom

Tel **+44 (0) 1789 773383**  
Fax **+44 (0) 1789 773238**  
E-mail **info@bomford-turner.com**  
Website **www.bomford-turner.com**



## Conditions of sale

Prices and specification are subject to change without notice. All goods will be invoiced at price ruling at the date of dispatch. Prices quoted in the price list do not include VAT.

The buyer will bring to the attention of those who use the goods all instructions provided by the seller on their use (including all safety precautions to be taken) and will ensure that they have the necessary skills and understanding in respect of their use. Save the extent otherwise provided in section 2 of the unfair contract terms act; the buyer will protect the seller against any failure by the buyer to carry out this obligation.

While every effort has been made to ensure the accuracy of the information at the time of printing, Bomford Turner accepts no liability due to any errors or omissions present in this literature. Bomford Turner reserves the right to make any changes to product specification outside any of those listed in this price list.